

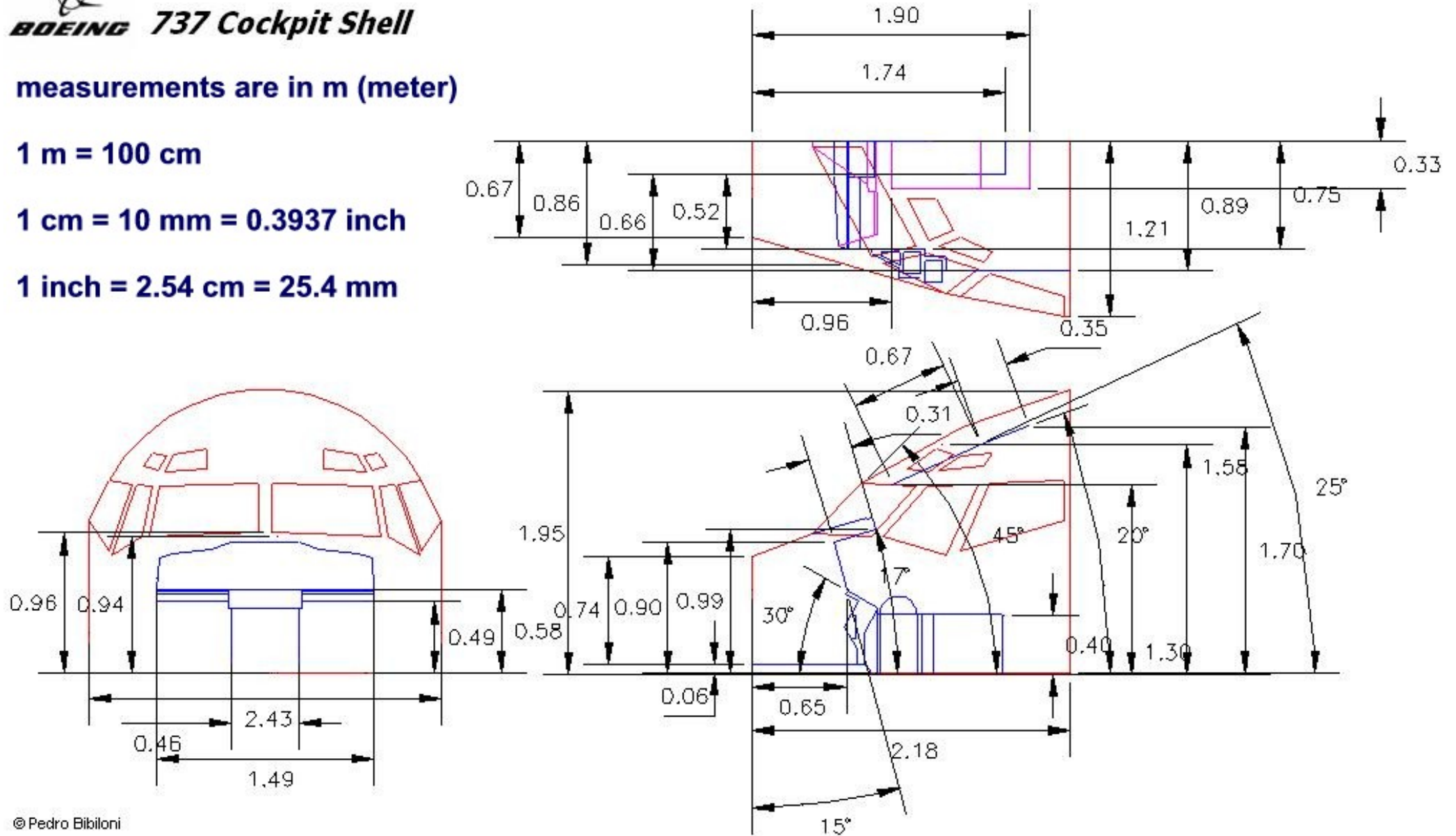
BOEING 737 Cockpit Shell

measurements are in m (meter)

1 m = 100 cm

1 cm = 10 mm = 0.3937 inch

1 inch = 2.54 cm = 25.4 mm



© Pedro Bibiloni

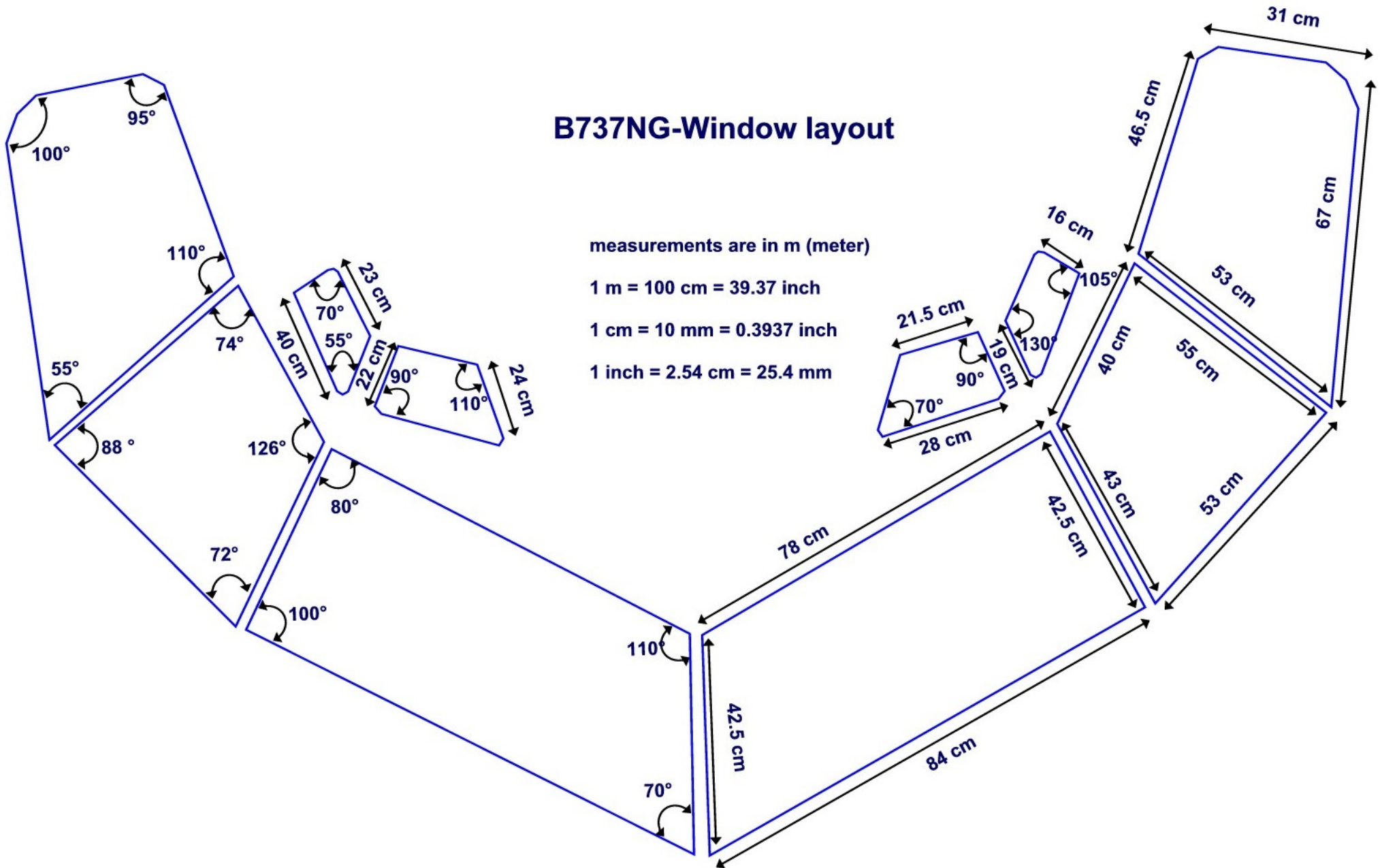
B737NG-Window layout

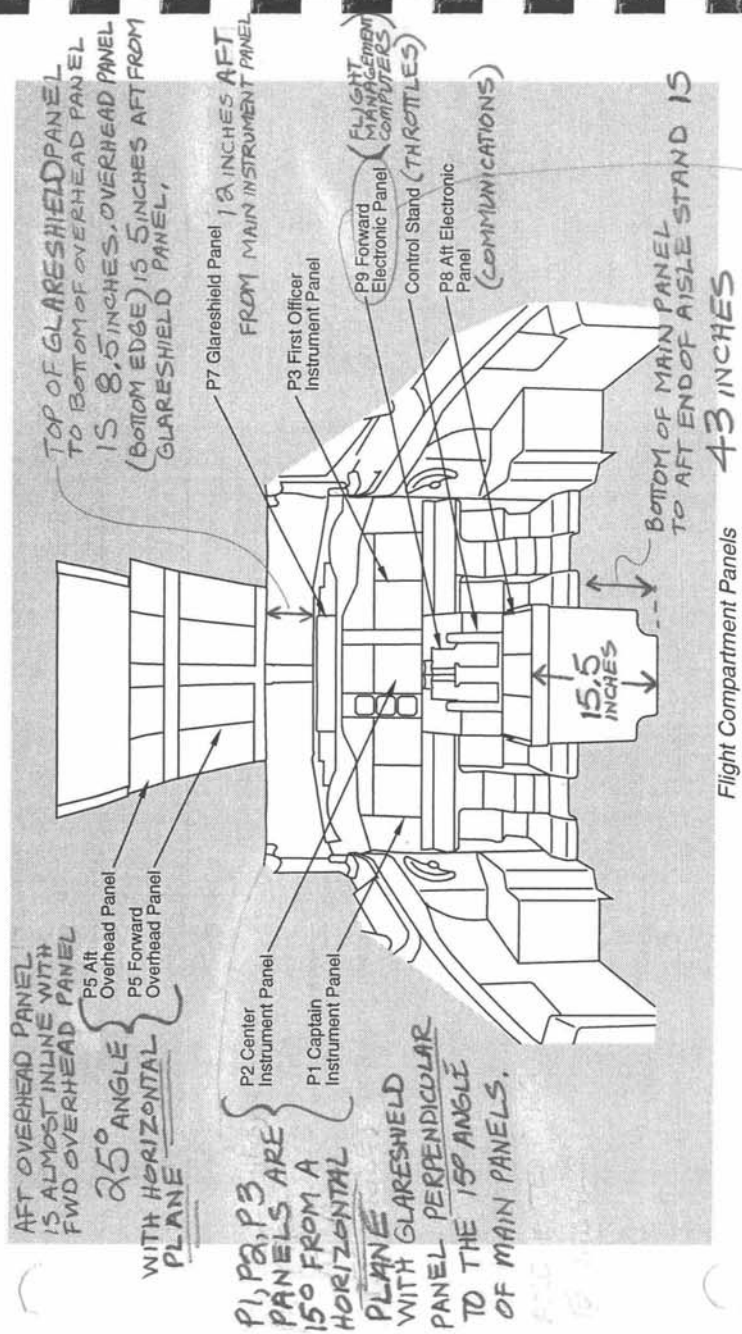
measurements are in m (meter)

1 m = 100 cm = 39.37 inch

1 cm = 10 mm = 0.3937 inch

1 inch = 2.54 cm = 25.4 mm





P9 PANEL UP AGAINST BOTTOM OF MAIN PANEL AND IS AT A 30° ANGLE TO HORIZONTAL PLANE, CONTROL STAND AND P8 PANEL ARE HORIZONTAL AND ARE RIGHT UP AGAINST ONE ANOTHER, AND UP AGAINST P9 PANEL.

Flight Compartment Panels

The main instrument panel has three panels. These are the panels:

- P1
- P2
- P3.

The main instrument panels of the flight compartment include five 8"x8" flat panel liquid crystal display (LCD) units. A sixth LCD is on the P9. All the display units have the same part number. The display units supply a larger display area than conventional cathode-ray tube (CRT) display units. The LCDs have better visibility for the primary navigation and engine information.

The mode control panel (MCP) is on the P7 panel.

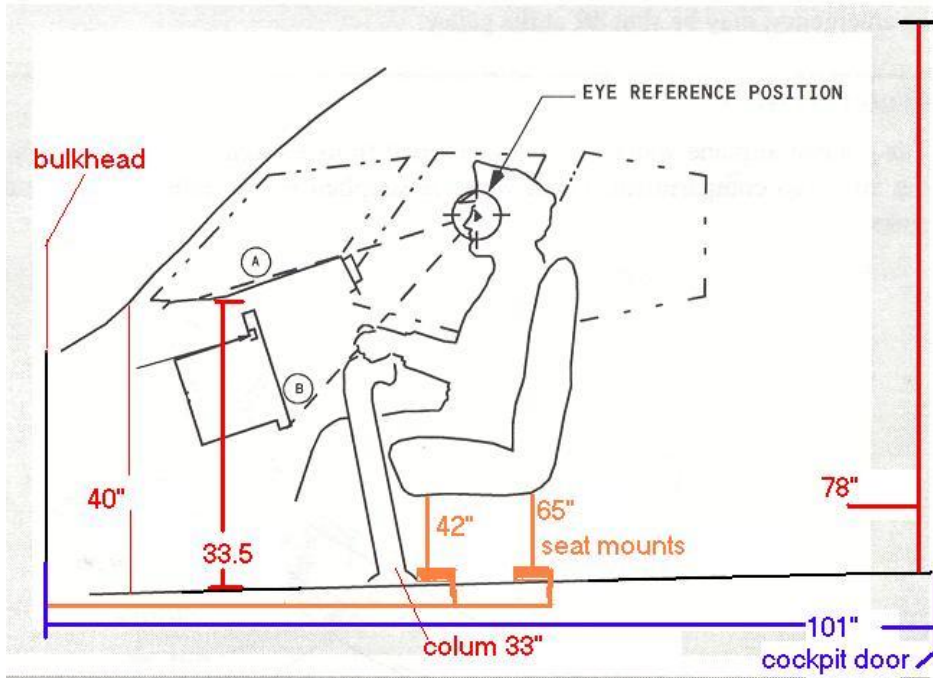
These are the aisle stand panels:

- P8 aft electronic panel
- P9 forward electronic panel

- Control stand.

These are the two overhead panels:

- P5 forward overhead panel
- P5 aft overhead panel.

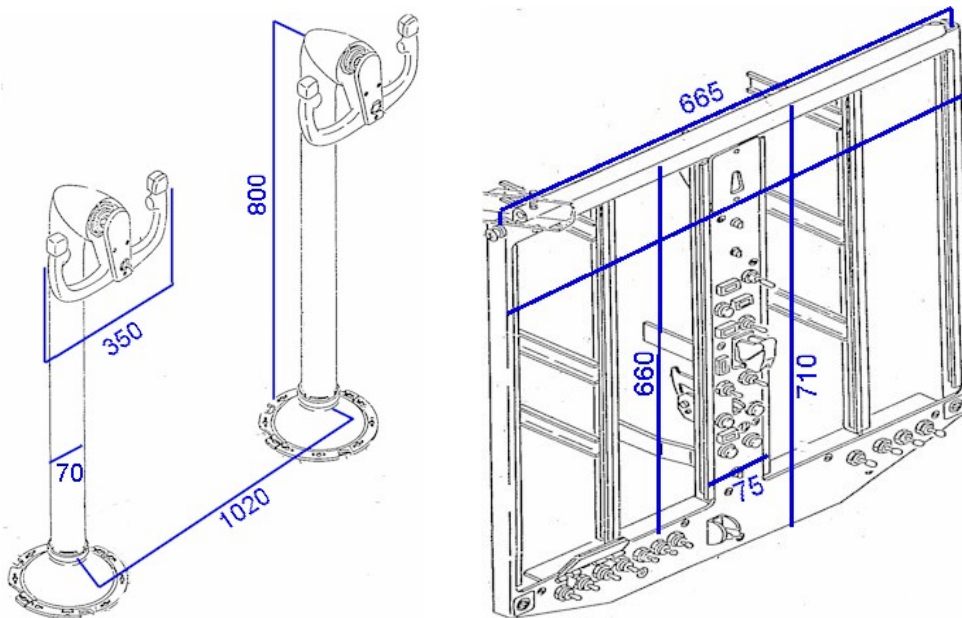
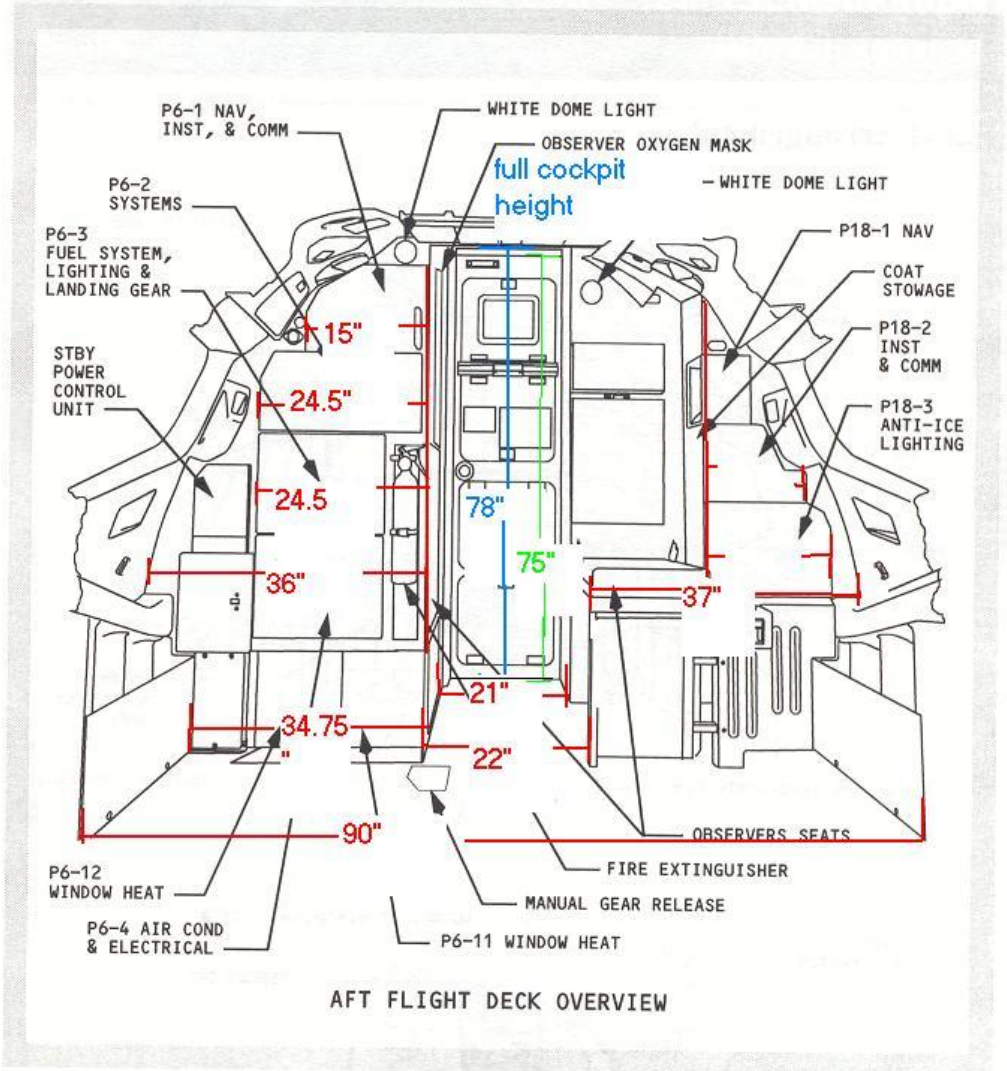


Airplane General, Emergency Equipment, Doors, Windows - Instrument Panels

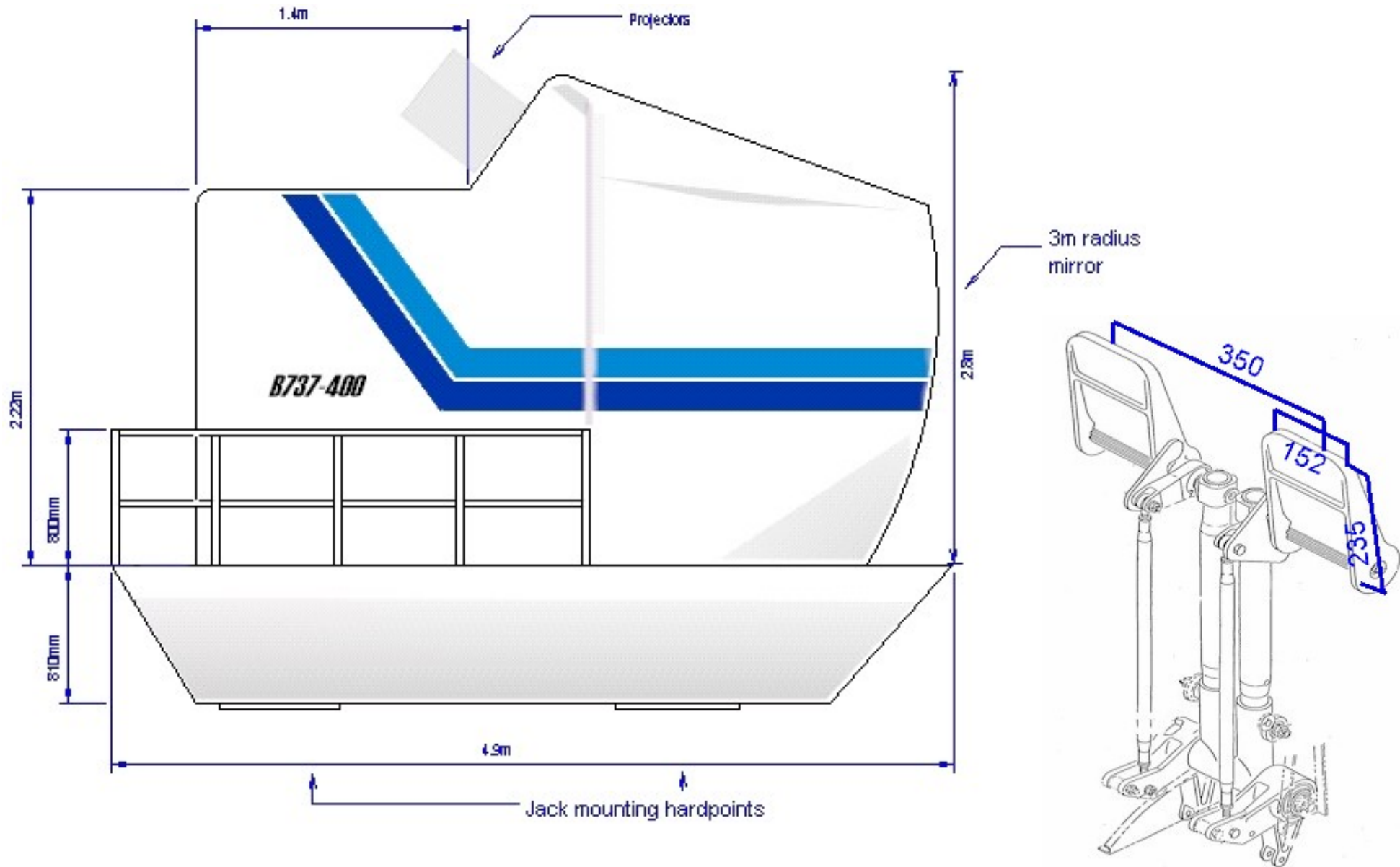


737 Operations Manual

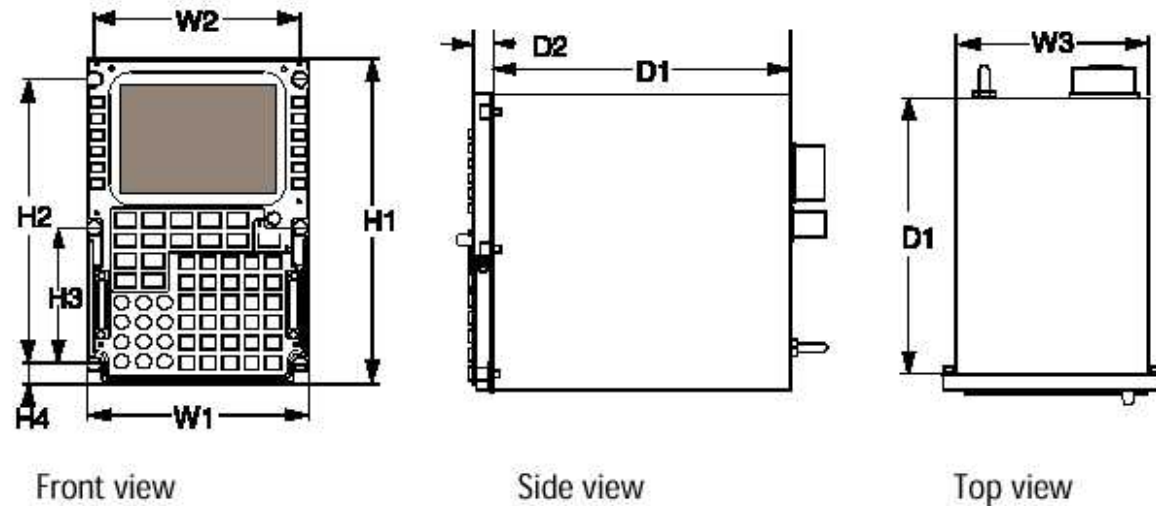
Aft Flight Deck Overview



AFT FLIGHT DECK OVERVIEW



Technical Specifications CDU 3.4 M



Dimensions	mm	inch
H1	219.00	8.62
H2	190.50	7.50
H3	95.25	3.75
H4	14.27	0.57
D1	177.80	7.00
D2	14.45	0.51
W1	146.00	5.75
W2	136.27	5.36
W3	127.00	5.00
Aperture:		
- height	220.00	8.66
- width	128.00	5.04

ELECTRO OPTICAL

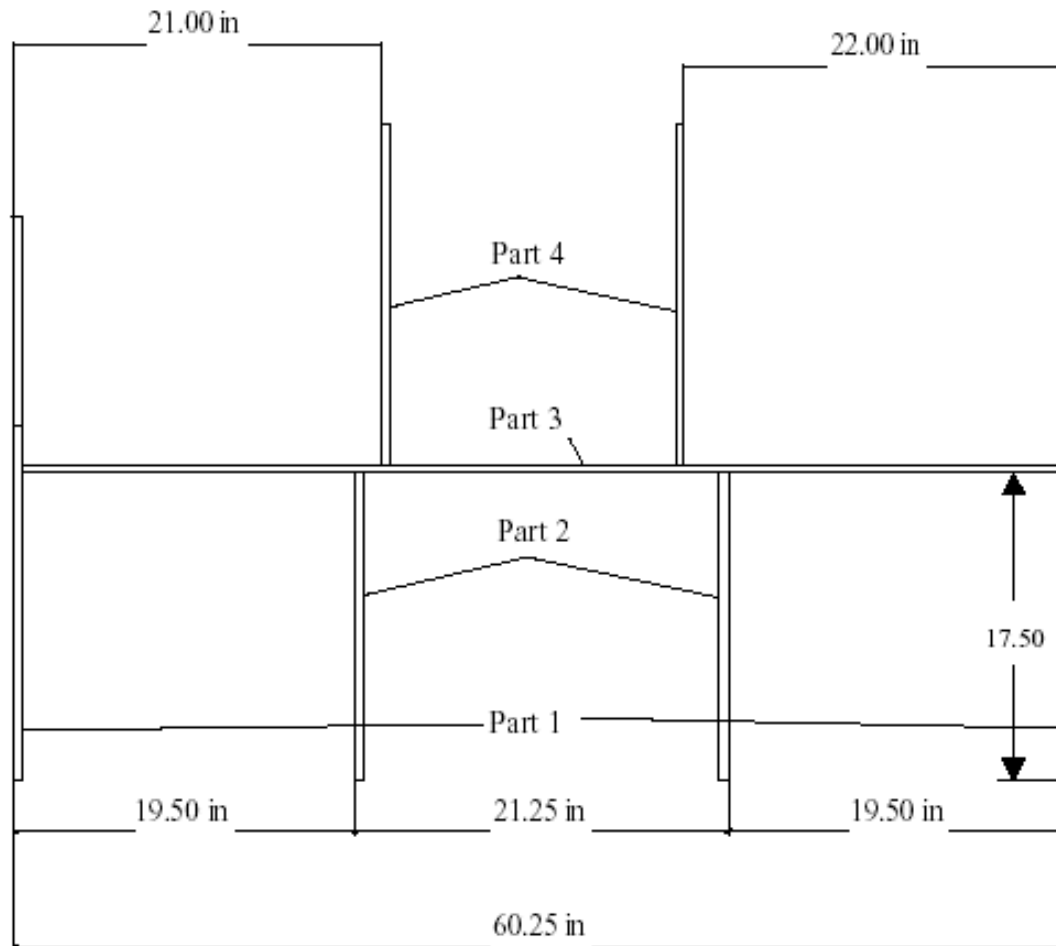
Type	EL - Flat panel
Panel or CRT diagonal	12.7 cm / 5"
Resolution	320 x 240 pixels (80 pixels/inch)
Image dimensions	10.1 x 7.6 cm / 4 x 3"
Maximum luminance	292 nit / 85 fL
Contrast filter	NVIS filter.
NVG compatibility	Yes - MIL-L-85762A

GENERAL DATA

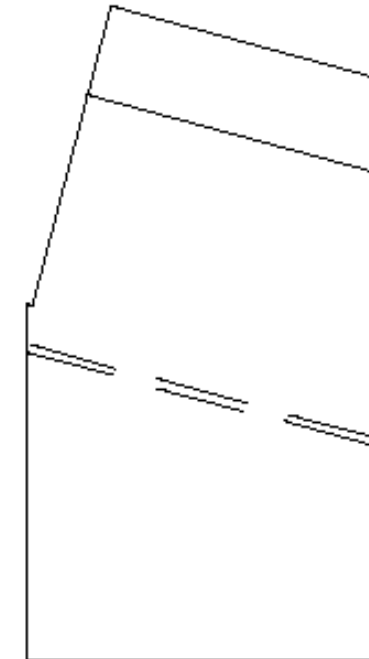
Power supply	28 VDC
Power consumption	Typ. 40 W
Weight	4.5 kg; 9.9 lbs.
Cooling	Natural convection
Continuous testing	IBIT, CBIT + PBIT

ENVIRONMENTAL

Assembly of the 737NG MIP Panels Drawing 1 of 2

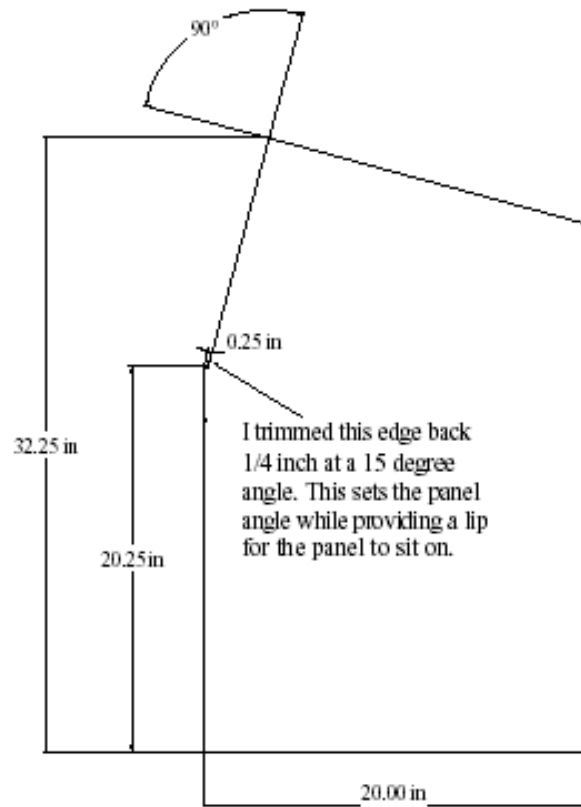


Front View
Assembly Dimensions

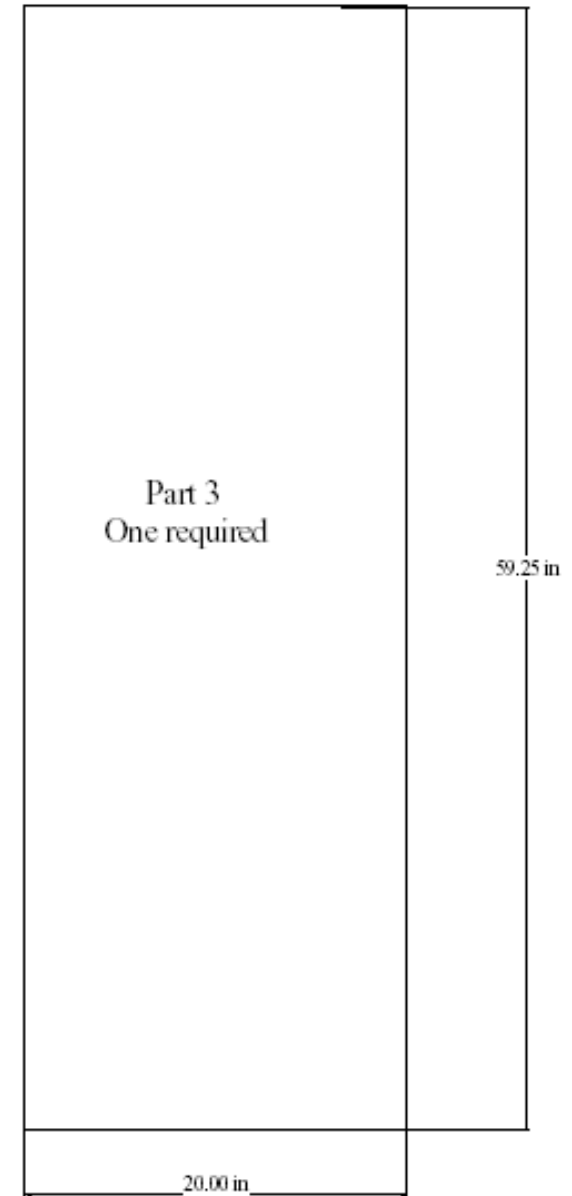
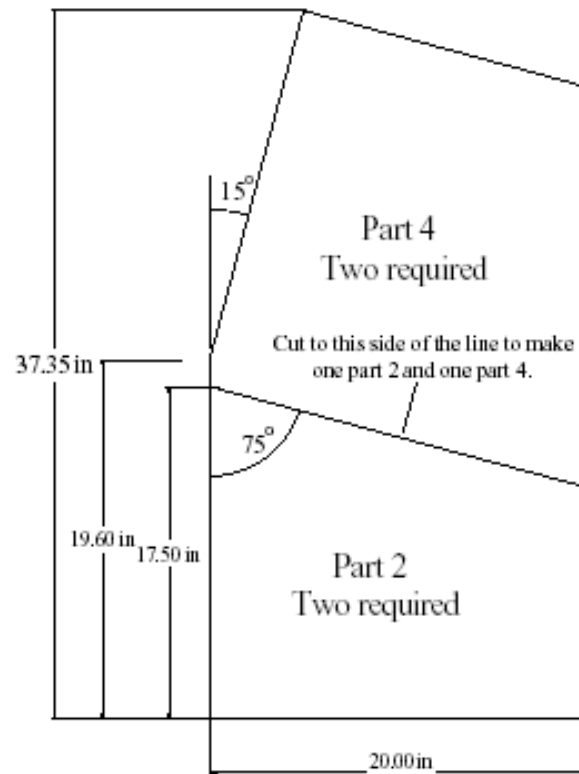


Side View
See Sheet Two
For Panel Sizes

Detail Parts for the 737NG MIP Panels Drawing 2 of 2



Part 1
Two required



Measurements in numbers:

Height dimensions

floor <-> lower main panel: 58 cm
floor <-> MCP front: 99 cm
floor <-> front of forward overhead panel: 130 cm
floor <-> back of forward overhead panel: 158 cm
floor <-> front of aft overhead panel: 158 cm
floor <-> back of aft overhead panel: 170 cm
floor <-> top of door: 198 cm

Length dimensions

firewall (in front of your toes) <-> flight deck door: 218 cm
firewall <-> wall behind right pilot seat: 190 cm
firewall <-> back of center pedestal: 174 cm
firewall <-> lower part of main panel: 65 cm

Width dimensions

Floor

width at flight deck door: 243 cm
width at circuit breaker panel behind right seat:
width at front of the seats : 150 cm
width at main panel: 149 cm

Roof

width of forward overhead panel:
at front, in front of landing lights etc:
at front, behind landing lights etc: 66 cm
at the back of the panel: 66 cm

Angles

main panel tilt angle: 15-18 vertical
CDUs and EICAS2 tilt angle: 30 degrees horizontal
forward overhead panel tilt angle: 25 deg horizontal
aft overhead panel tilt angle: 20 deg horizontal
front windows: 45 degrees

Depth dimensions

depth from MCP to main panel: 31 cm

Display dimensions

http://itri.loyola.edu/dsply_jp/ab_tosh1.htm

Advanced instrument displays for avionics
ARINC D (1024 x 1024)

Advanced Common Display System Components.

The CDS comprises six flat panel LCD display units and two display electronic units (DEU).

FLAT PANEL DISPLAY UNITS

The six identical, state-of-the-art ARINC D-size display units are 8 by 8 in (20.32 by 20.32 cm).
Each has a 6.68- by 6.68-inch (16.97- by 16.97-cm) usable display area.